

Civil Engineering Project (66471)

7th Semester Civil Technology

2016 Probidhan



Presented by:

Engr. Mohammad Jamsadul Alam
Chief Instructor , Civil Technology
Mymensingh Polytechnic Institute

MYMENSINGH POLYTECHNIC INSTITUTE

CIVIL TECHNOLOGY

7th Semester Student

Subject: Civil Engineering Project

Subject Code: 6476

Per Week: Theory- 0 Practical - 6 Credit-2

OBJECTIVES

To know the complete structural design of a building

PROJECT

PROPOSED SIX (6) STORIED RESIDENTIAL BUILDING PLAN FOR MD.ABDUS SOBAHAN . S/O- LATE HOSSEN ALI. ON PLOT NO- C.S-738, R.S-1538, KHATIAN NO- S.A- 580, R.S -13, J, L. NO-45/58, MOUZA -JOYDEBPUR, GAZIPUR SADAR, GAZIPUR.

R O A D

60'-0"

15'-6"

3'-8"

BED

BATH

KITCHEN

KITCHEN

BATH

BED

DINING

DINING

BATH

BATH

12'-10"

BED

DRAWING

STAIR

DRAWING

BED

35'-4"

4'-11"

11'-2"

10'-0"

8'-10"

10'-0"

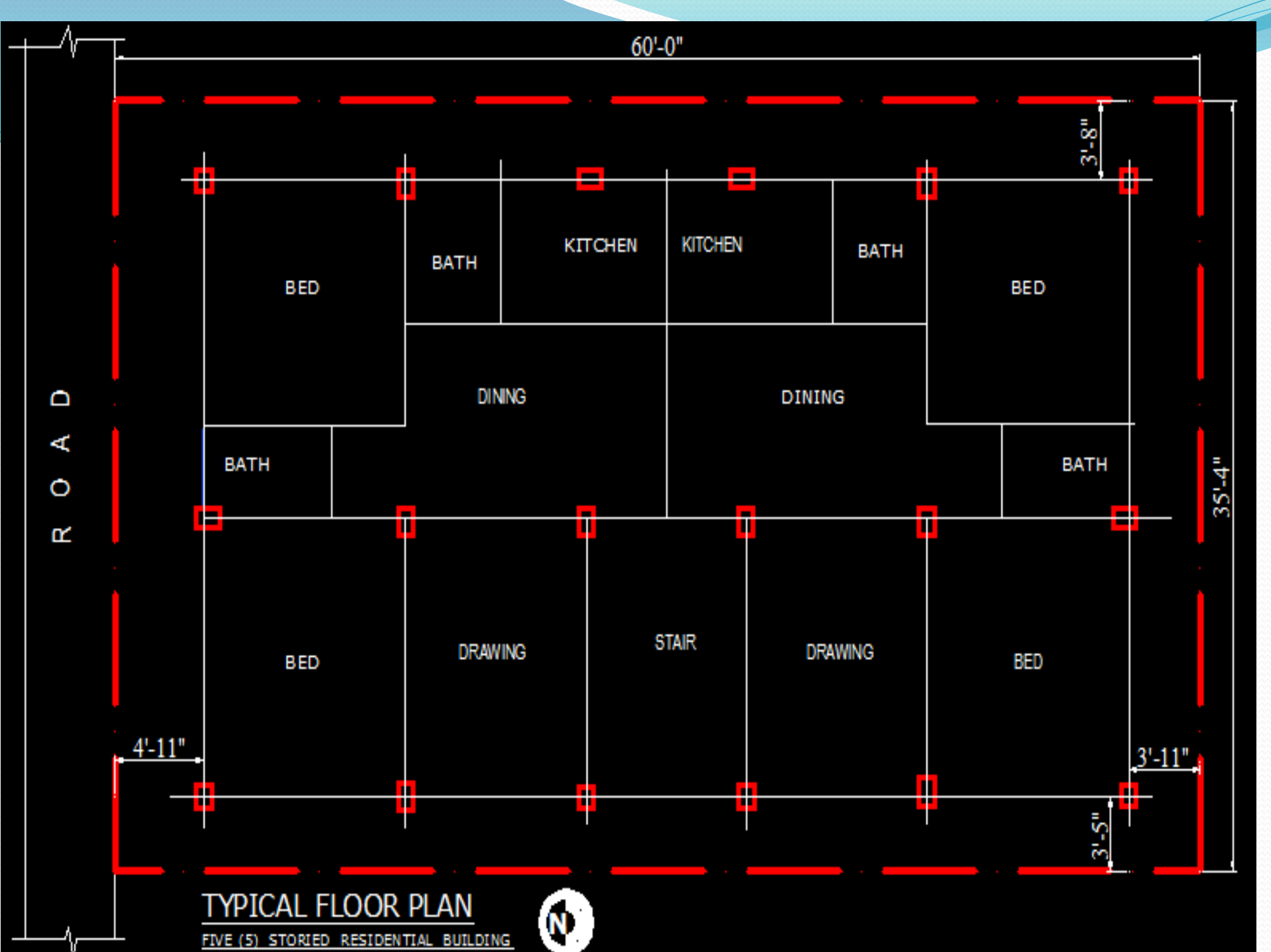
11'-2"

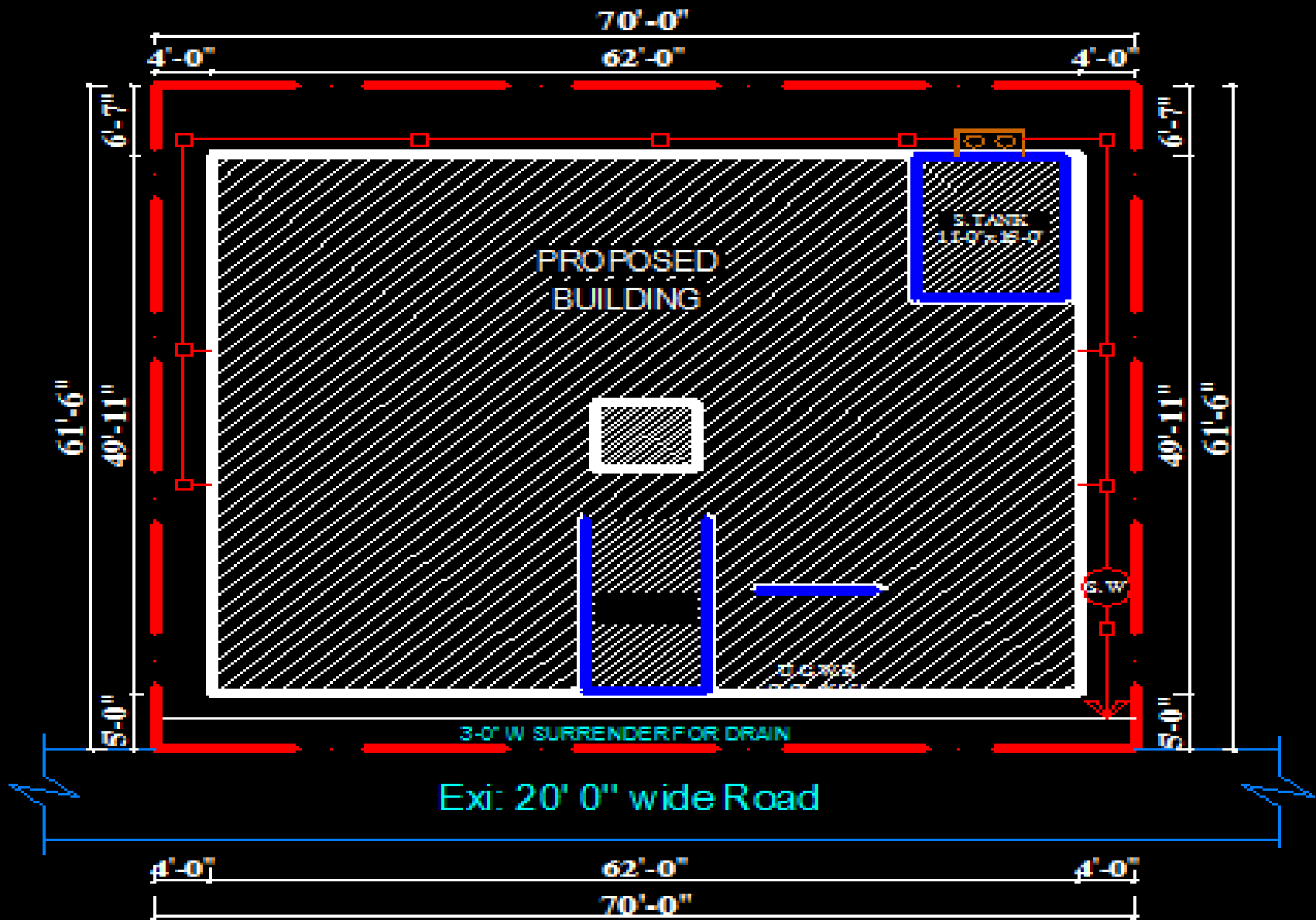
3'-11"

3'-5"

FIVE (5) STORED RESIDENTIAL BUILDING



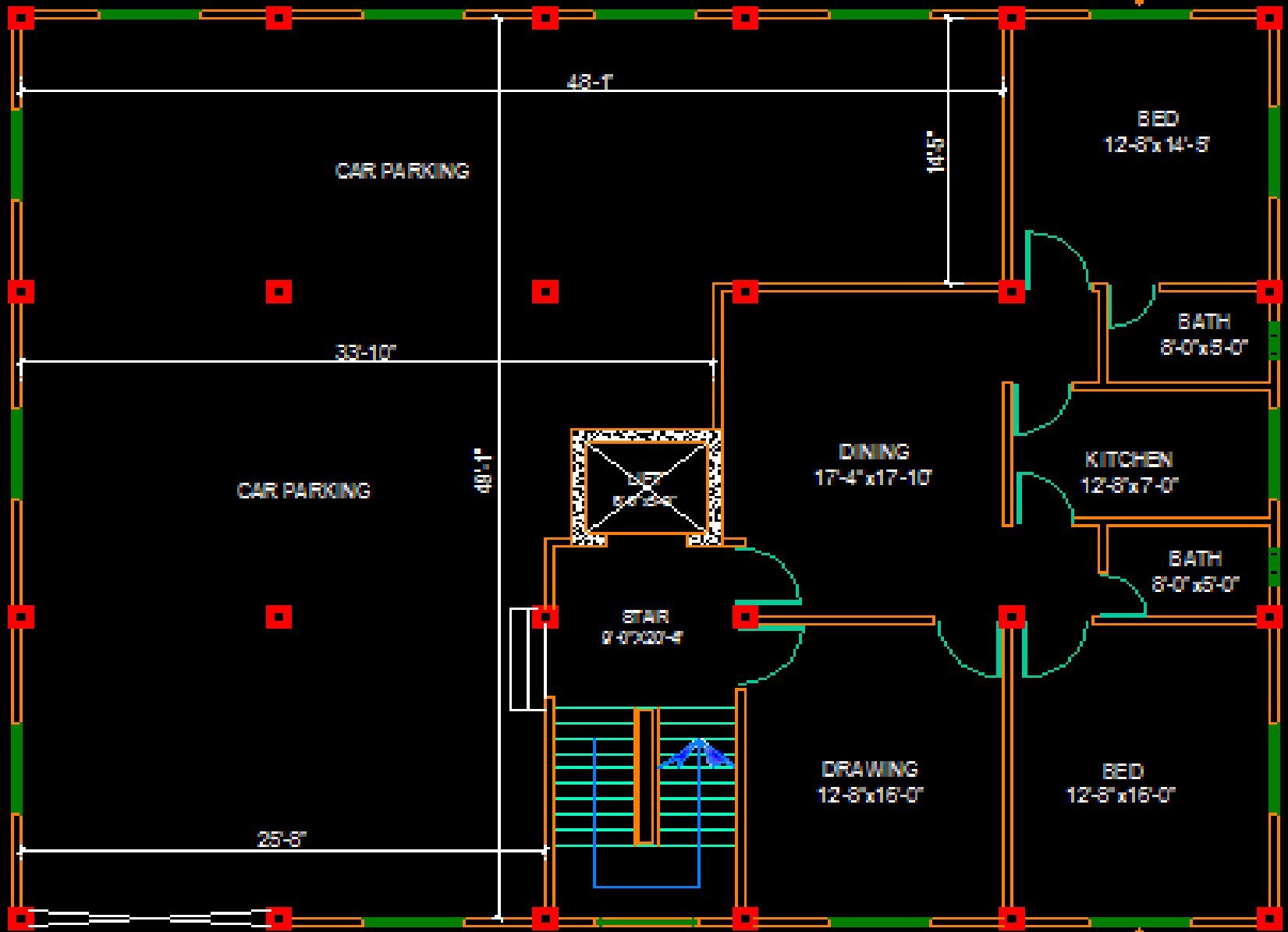




LAY-OUT PLAN

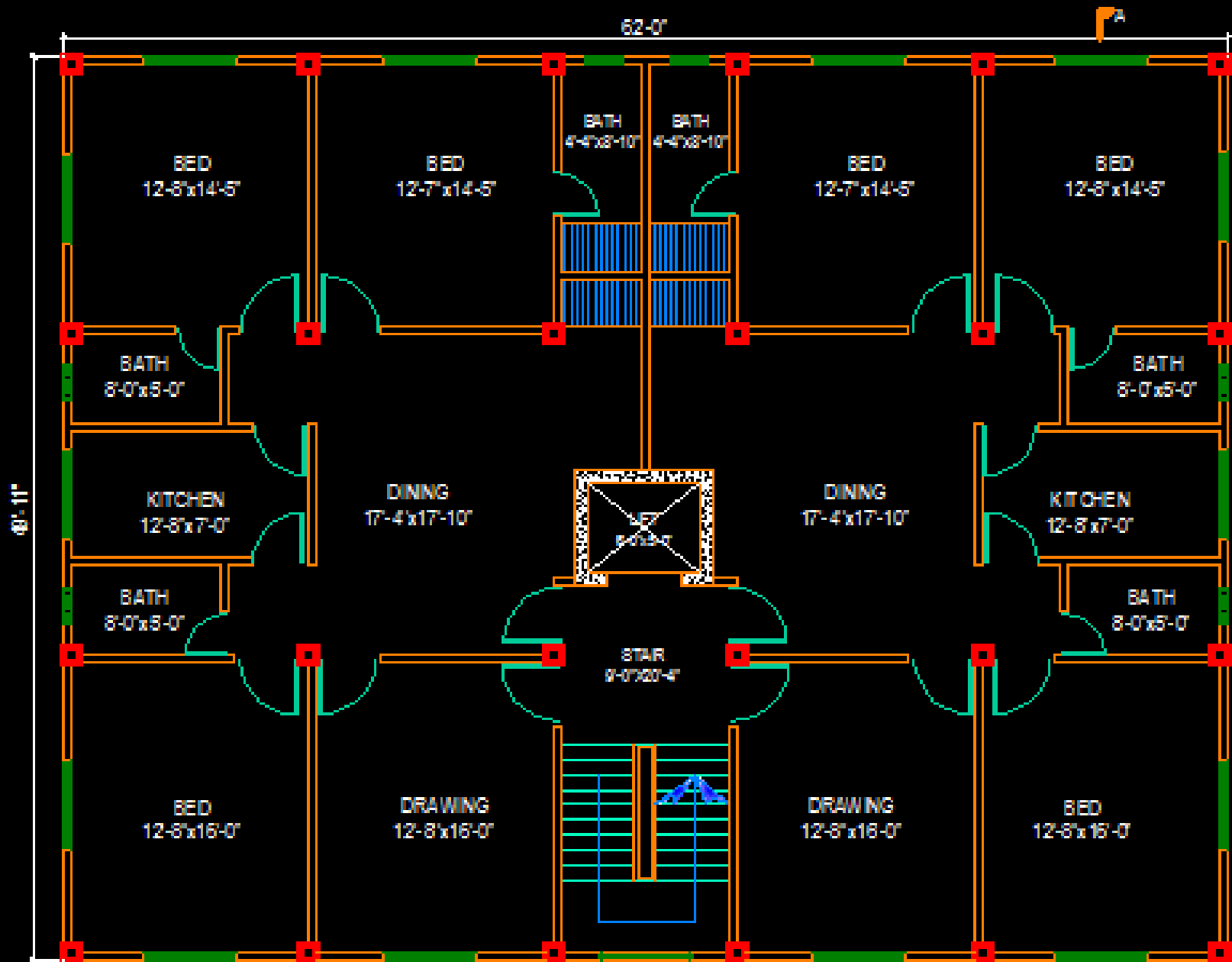
SCALE: 1/16" = 1'-0"

SCALE: 1/8" = 1'-0"



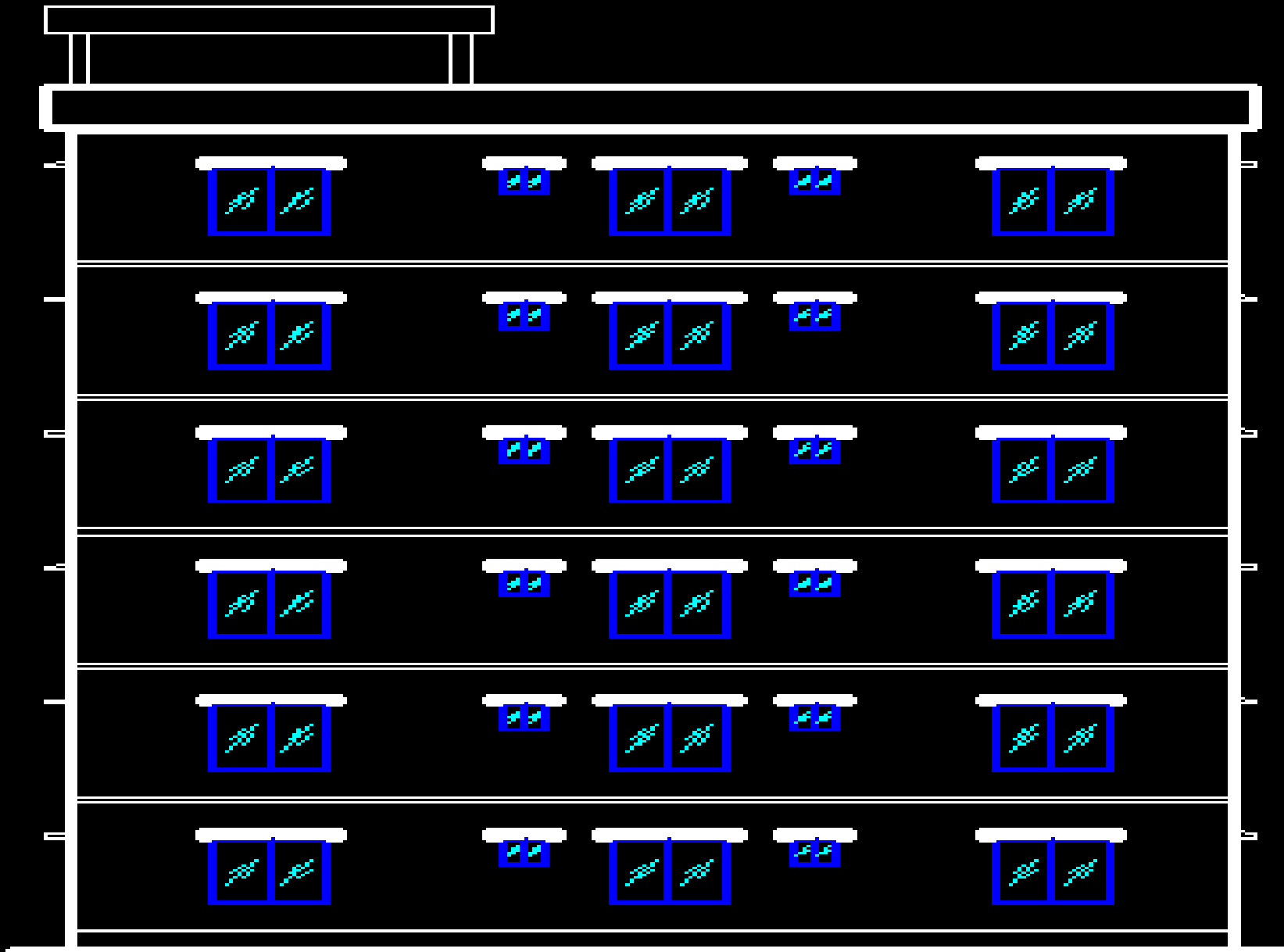
GROUND FLOOR PLAN

SCALE: 1/8" = 1'-0"

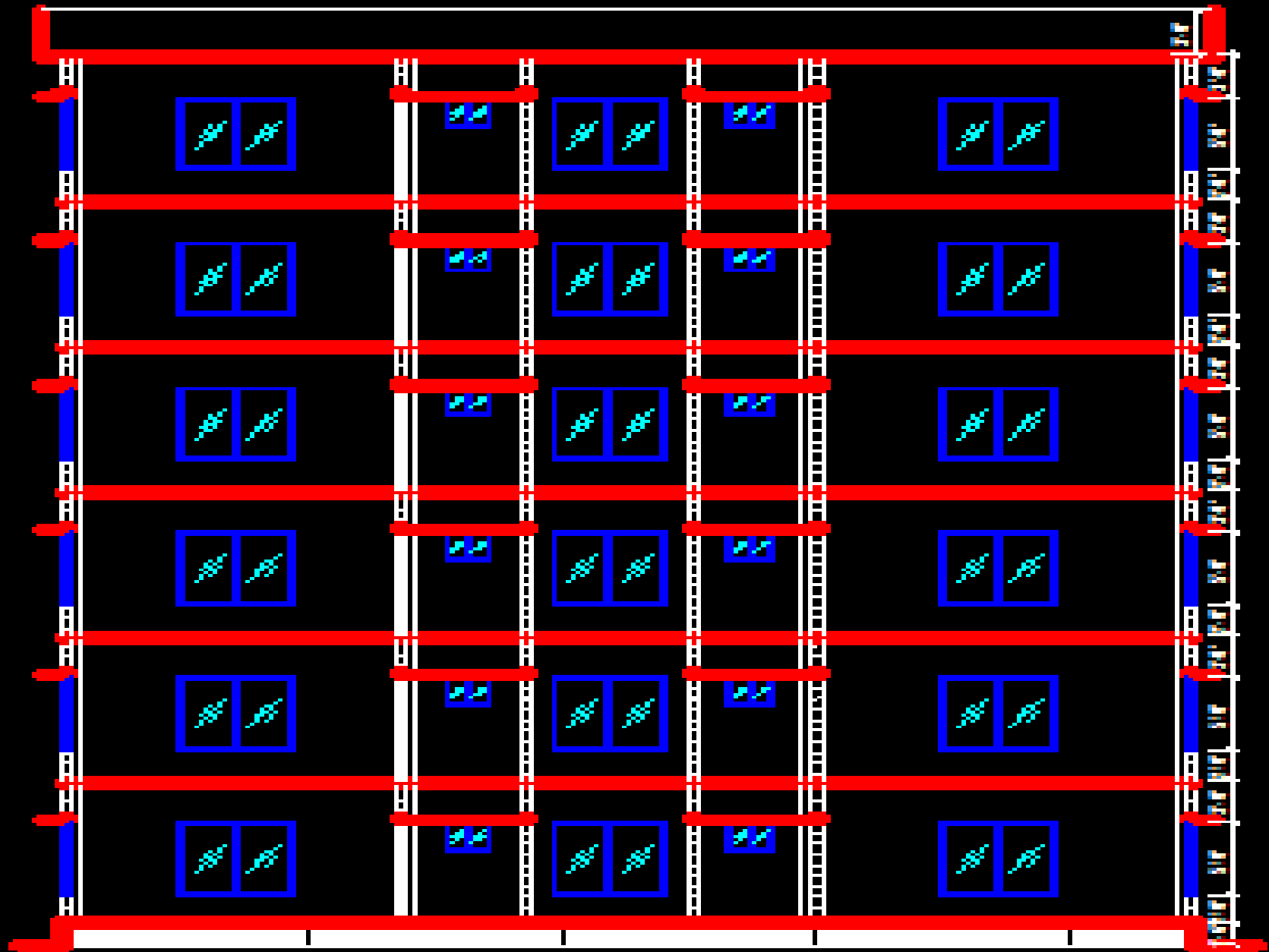


TYPICAL FLOOR PLAN

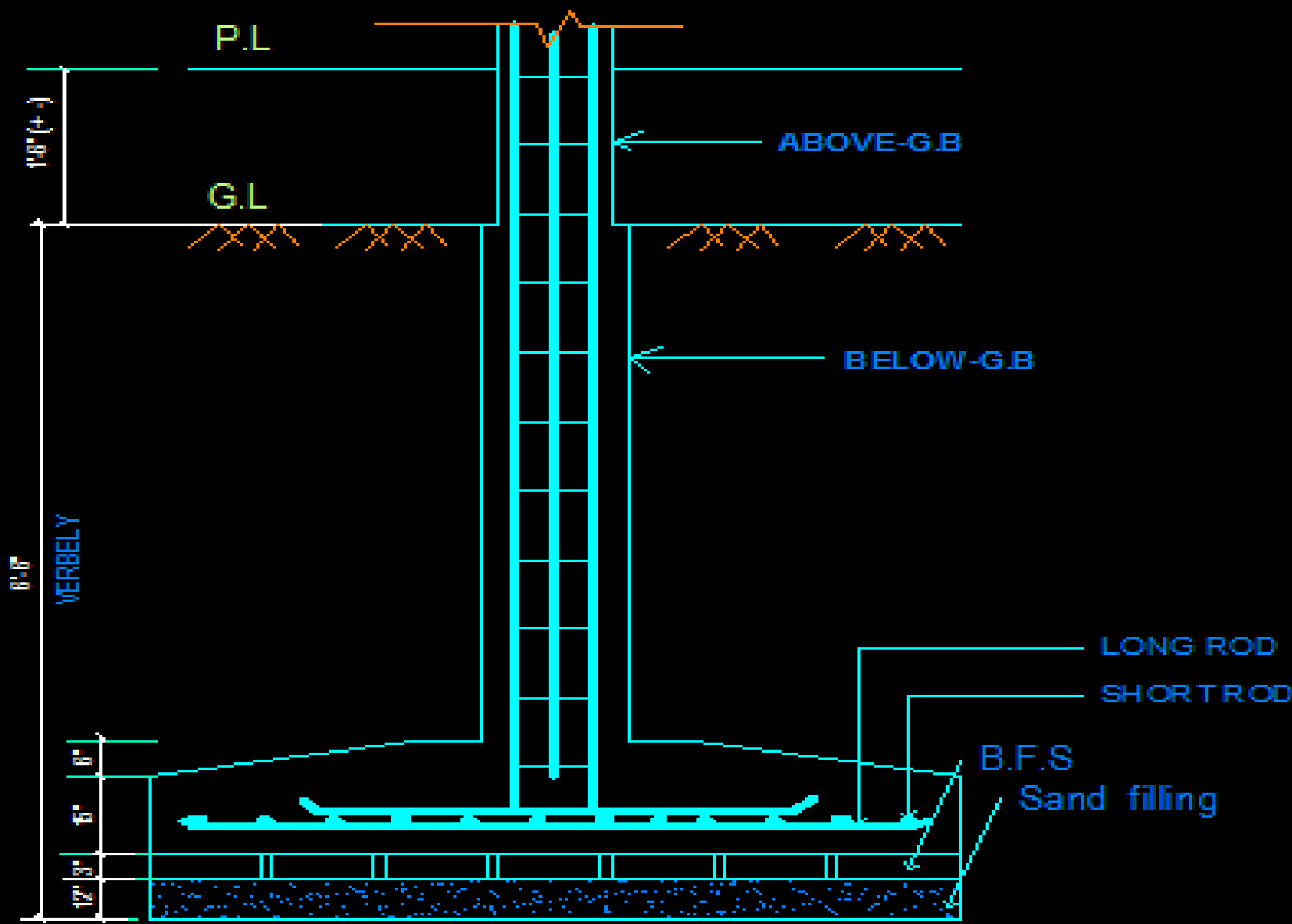
SCALE: 1/8" = 1'-0"



EAST ELEVATION
SCALE 1/8"=1'-0"

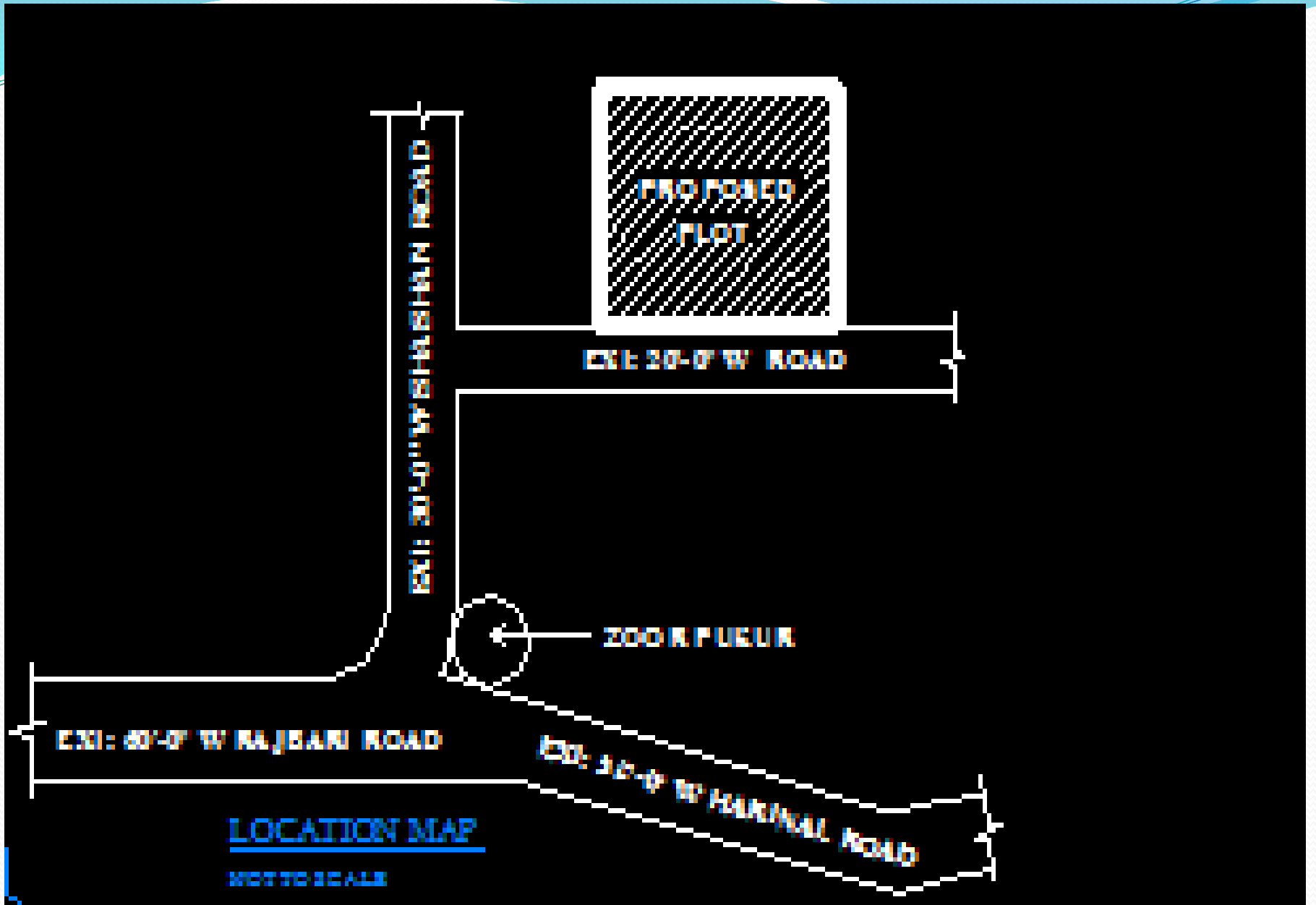


SECTION OF A.A.



COLUMN FOUNDATION

NOT TO SCALE



PROPOSED
PLOT

EXI: 20'-0" W ROAD

EXI: 30'-0" W BISHAM ROAD

ZOO R PUEUR

EXI: 40'-0" W RAJIBANI ROAD

EXI: 30'-0" W PARINAI ROAD

LOCATION MAP

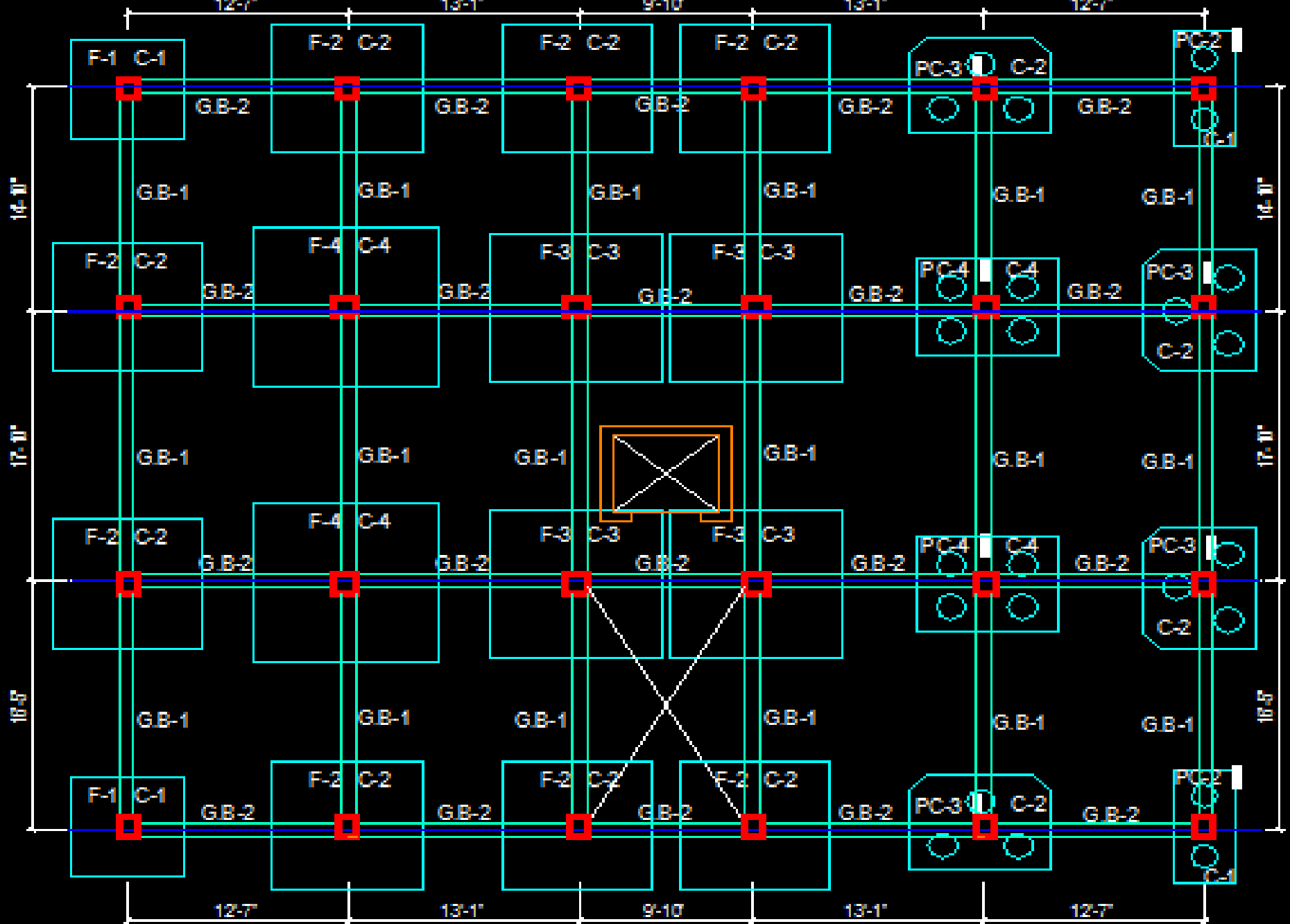
NOT TO SCALE



- **STRUCTURAL**

DRAWING

OF PROJECT



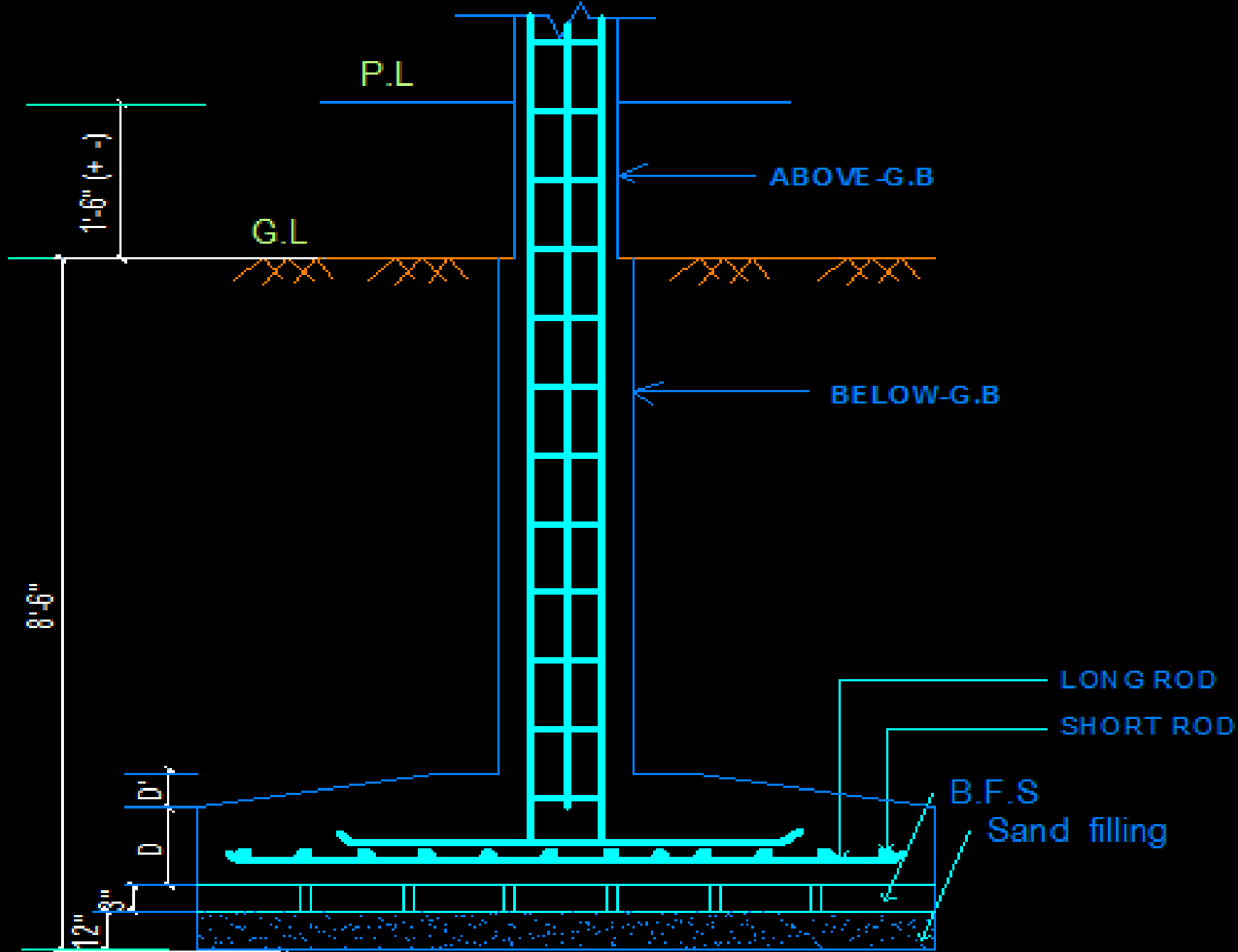
LAY OUT PLAN & GREAD BEAM

COLUMN SCHEDULE :

NAME	SIZE.		VERTICAL	TIE
	BELOW-G.B	ABOVE-G.B		
C1 .	15"x18"	12"x15"	8 -16 mm Ø	7" C/C 10 mm Ø
C2 .	15"x18"	12"x15"	10 -16 mm Ø	-DO-
C3 .	18"x18"	15"x15"	12 -20 mm Ø	-DO-
C4 .	18"x18"	15"x15"	14- 20 mm Ø	-DO-

FOOTING SCHEDULE :

NAME	SIZE.		D	D'	SPACE
	L	B			
F1 .	6'-6"	6'-6"	12"	4"	16 mm Ø 6" C/C
F2 .	8'-6"	8'-6"	15"	6"	16 mm Ø 5" C/C
F3 .	9'-9"	9'-9"	17"	6"	16 mm Ø 4" C/C
F4 .	10'-6"	10'-6"	19"	6"	16 mm Ø 4" C/C

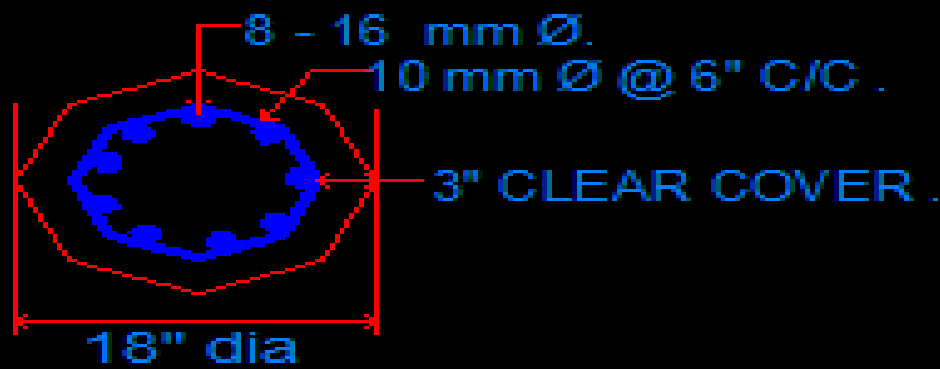


COLUMN FOUNDATION

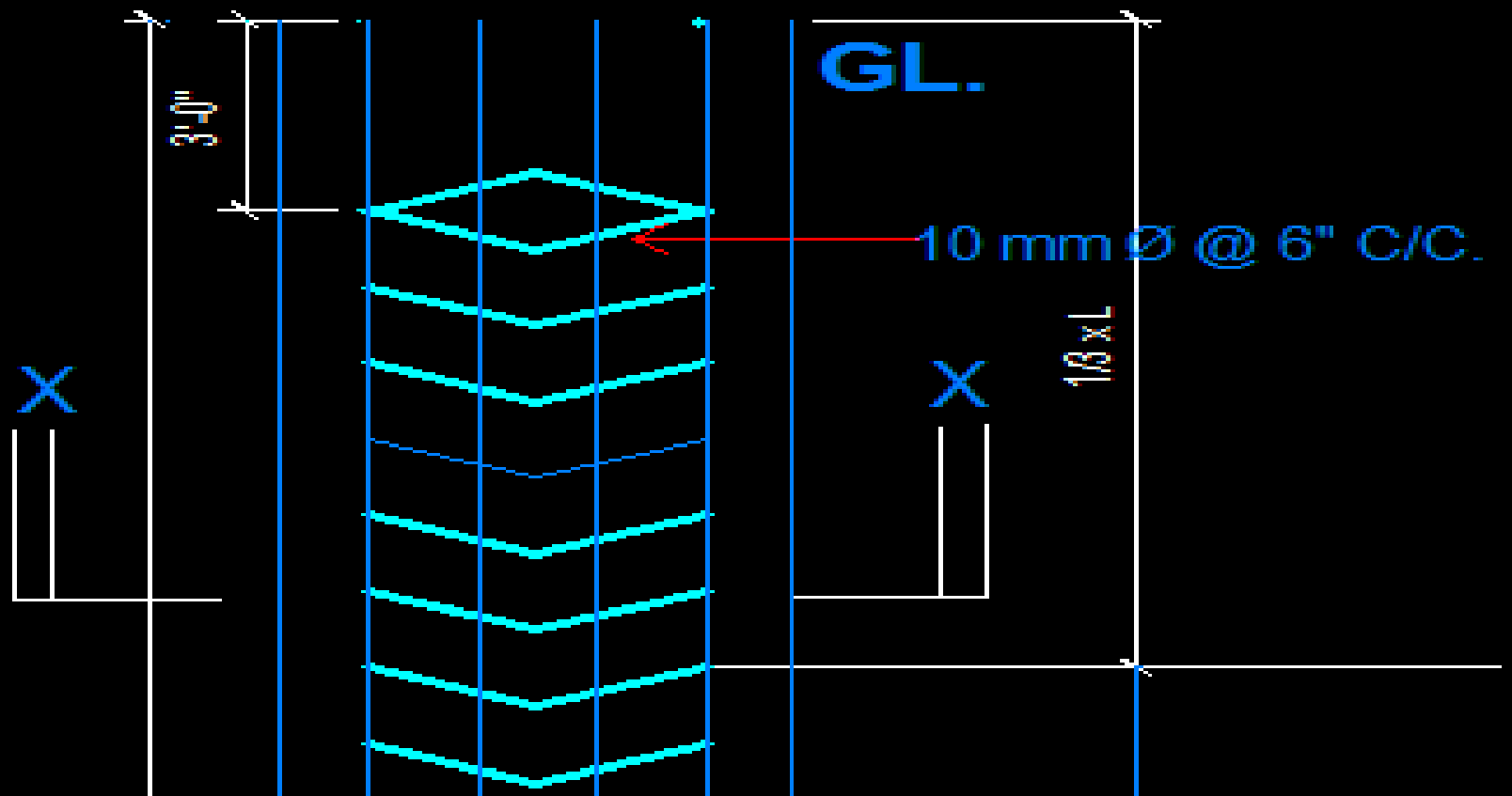
X

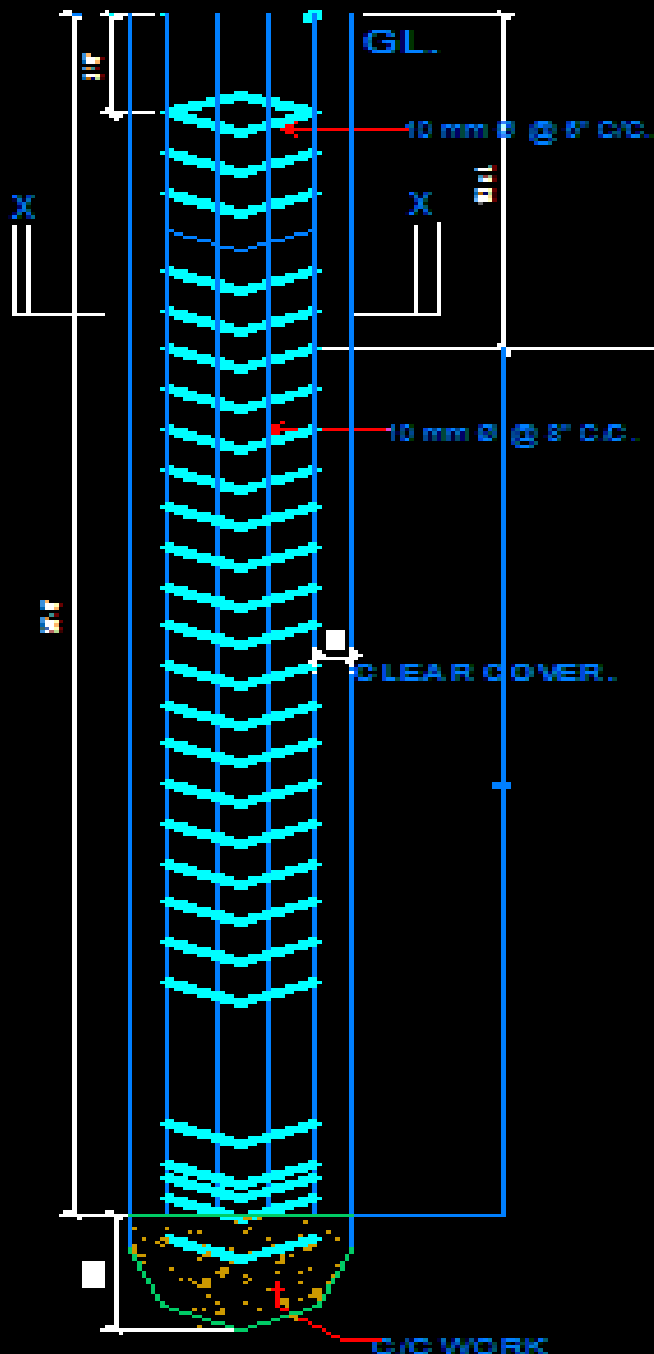
PILE SCHEDULE :

SL NO.	PILE CAP SIZE DEPTH/FOOTING.	PILE CAP ROD.	LENGTH OF PILE..
2 .	3'-6"x7'-8"x2'-9"	16 mm Ø @ 3.5" C/C Bothway	50'-0"
3 .	6'-6"x7'-8"x3'-0"	16 mm Ø @ 3.5" C/C Bothway	50'-0"
4 .	8'-8"x7'-8"x3'-6"	20 mm Ø @ 4" C/C Bothway	50'-0"

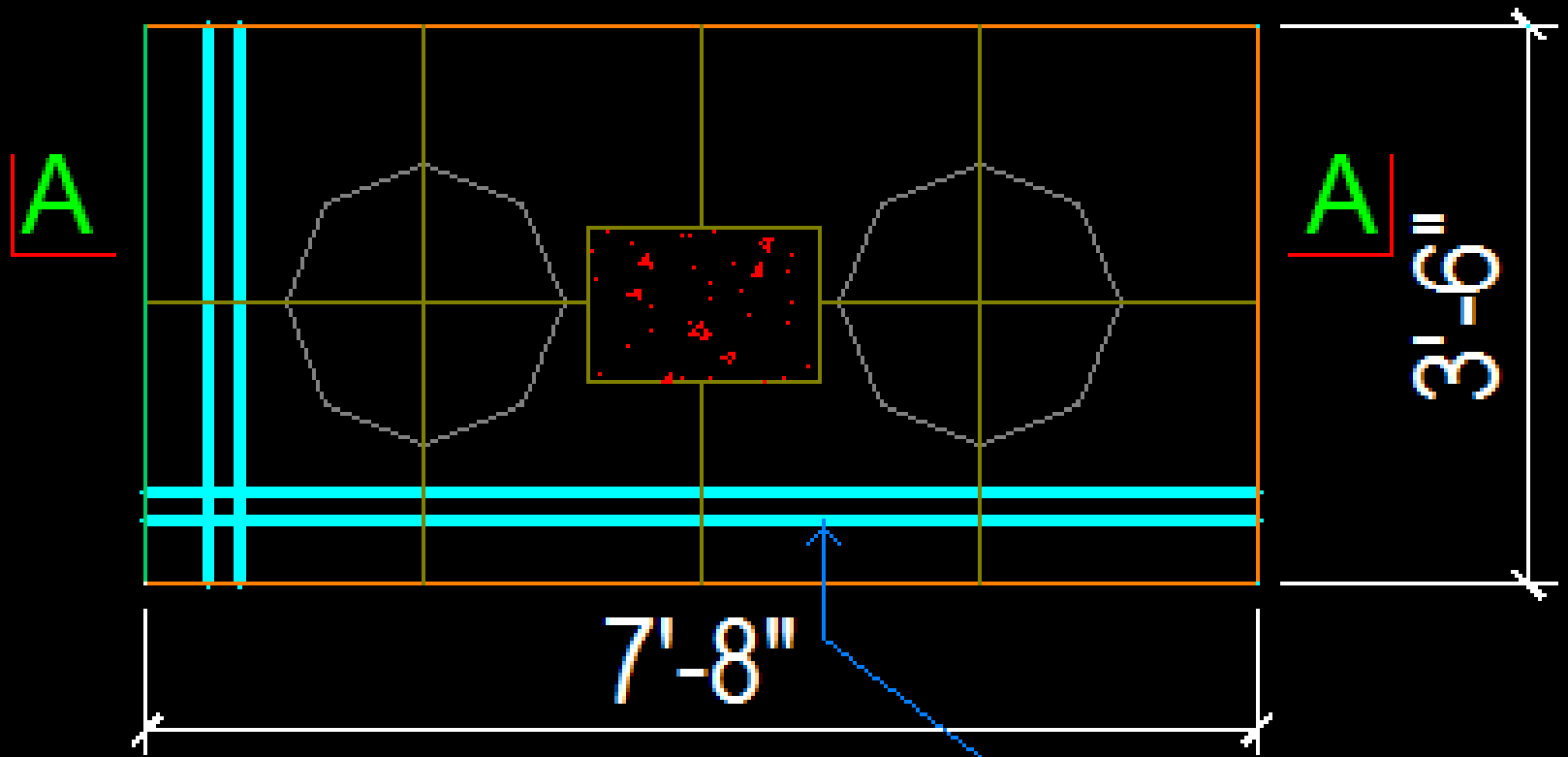


X - SEC . OF 18" dia PILE .



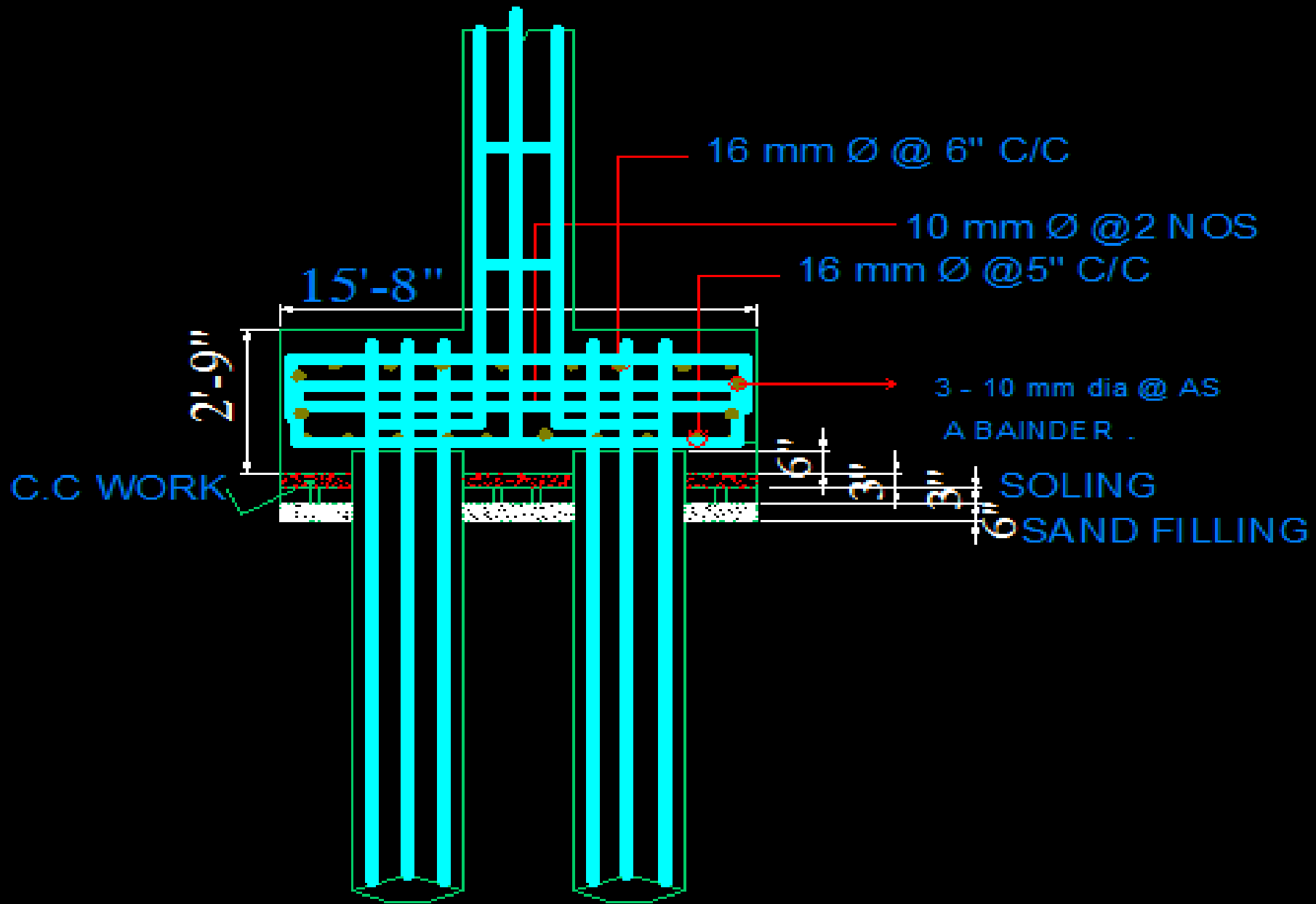


PILE

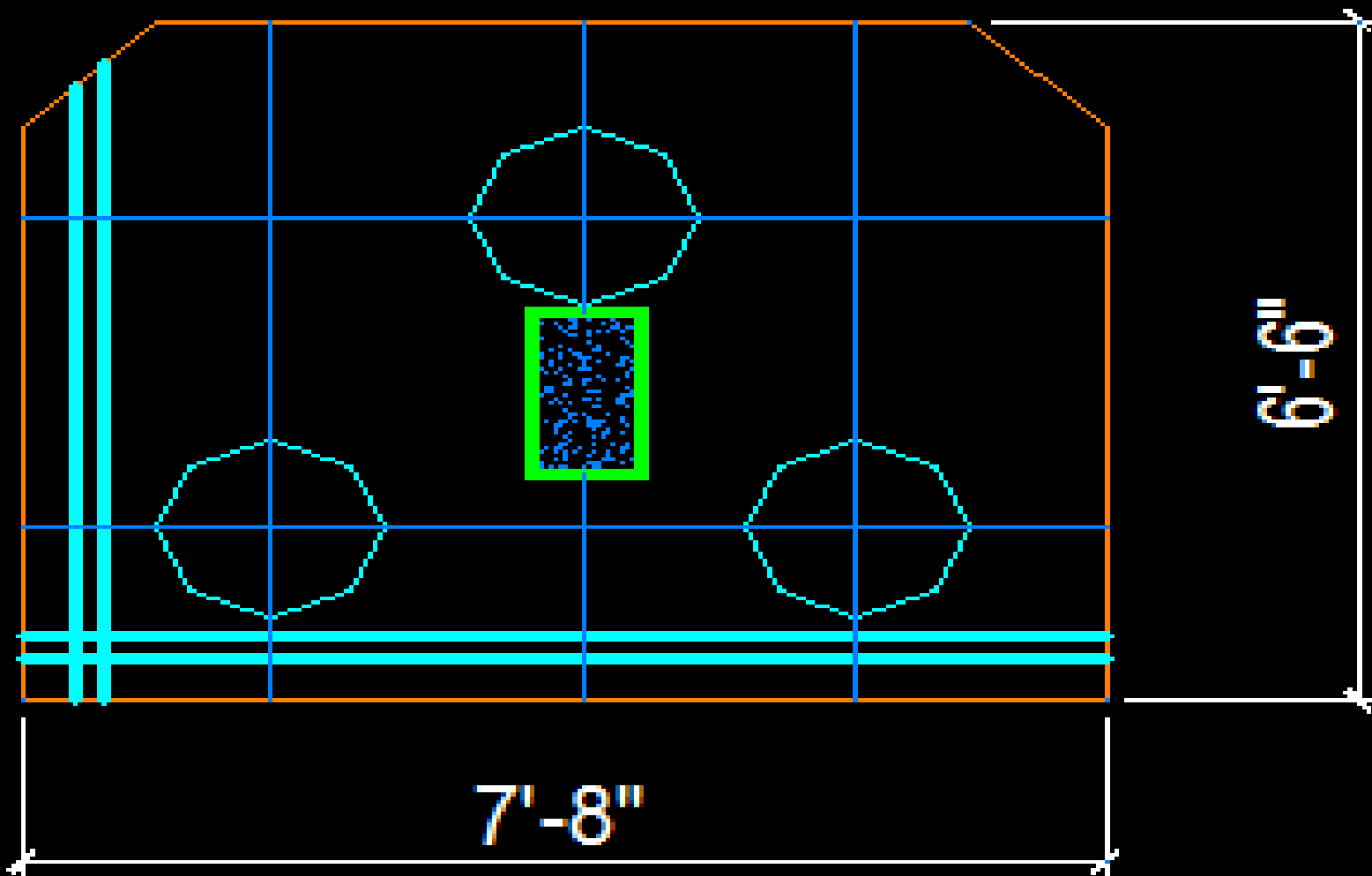


16 mm Ø @ 3.5" C/C.

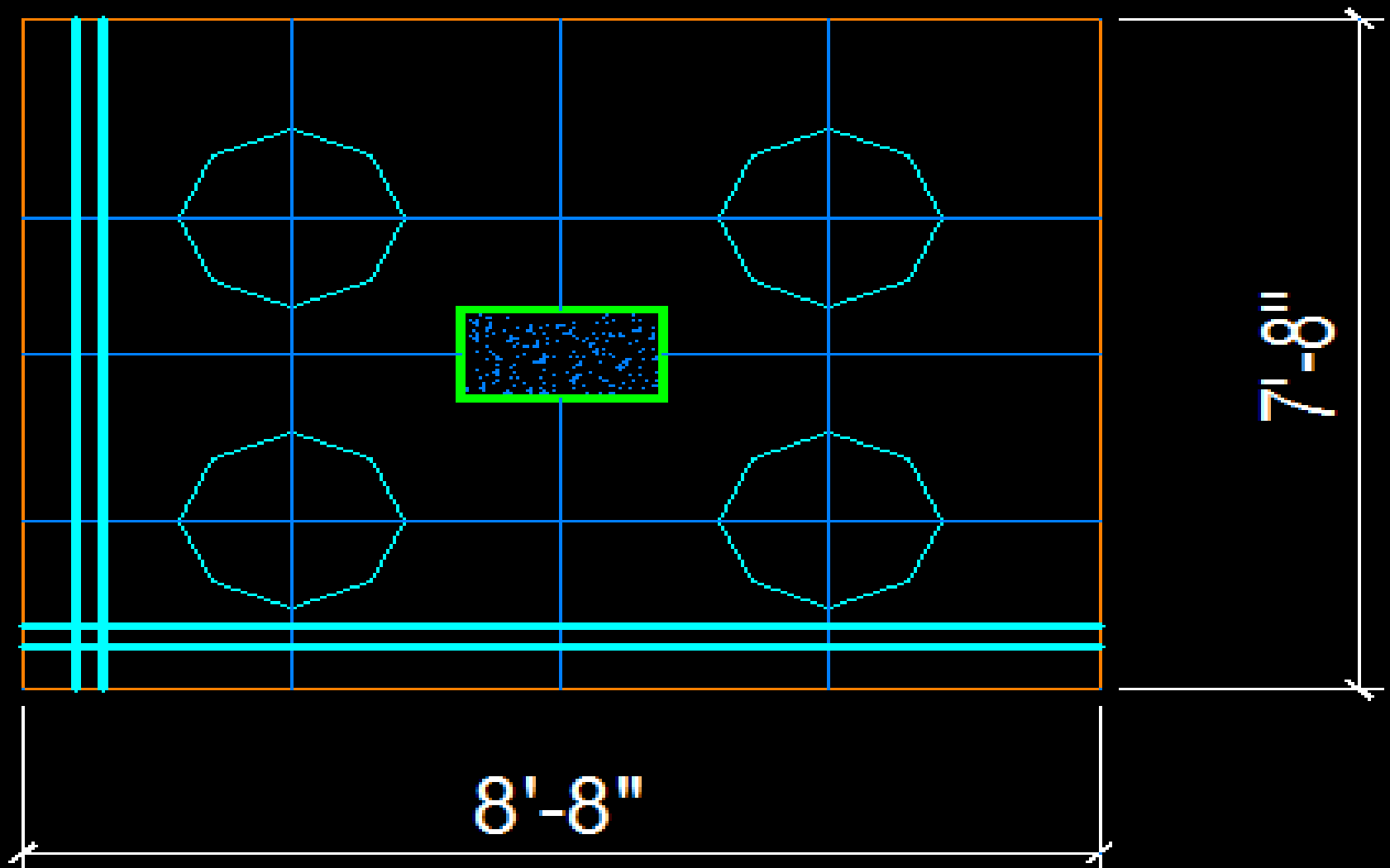
PILE CAP OF - 2



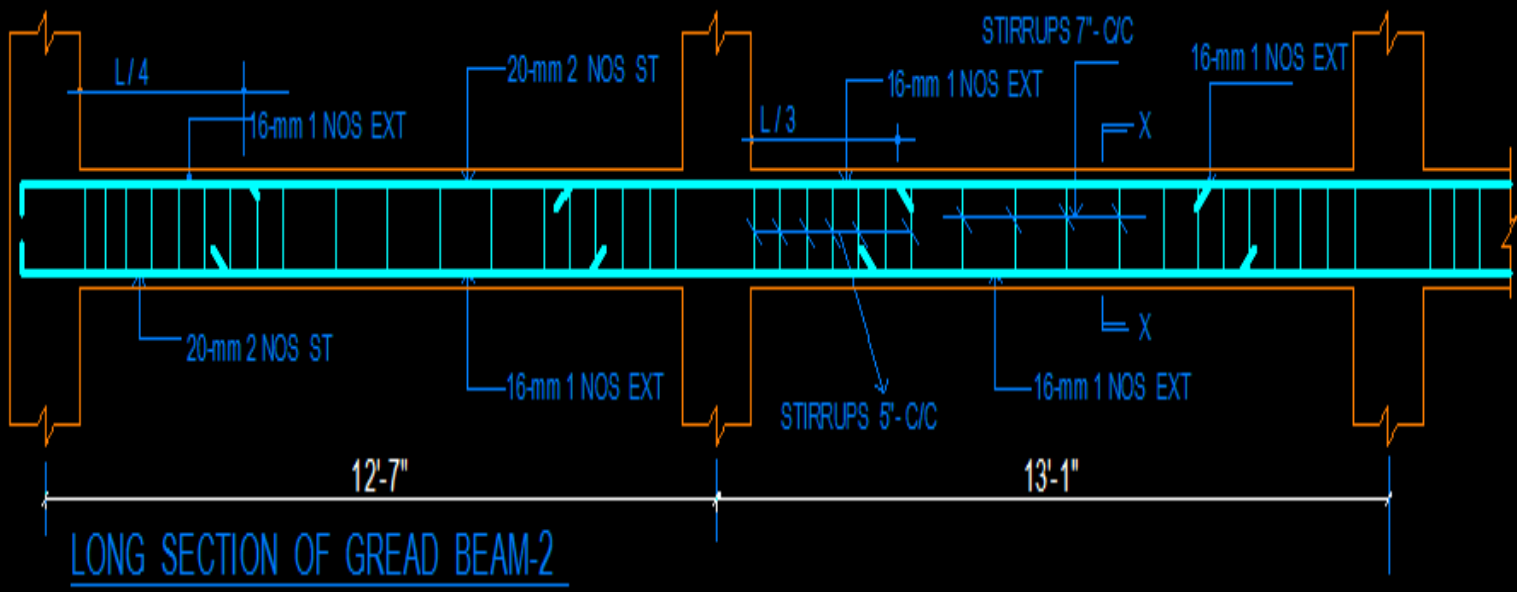
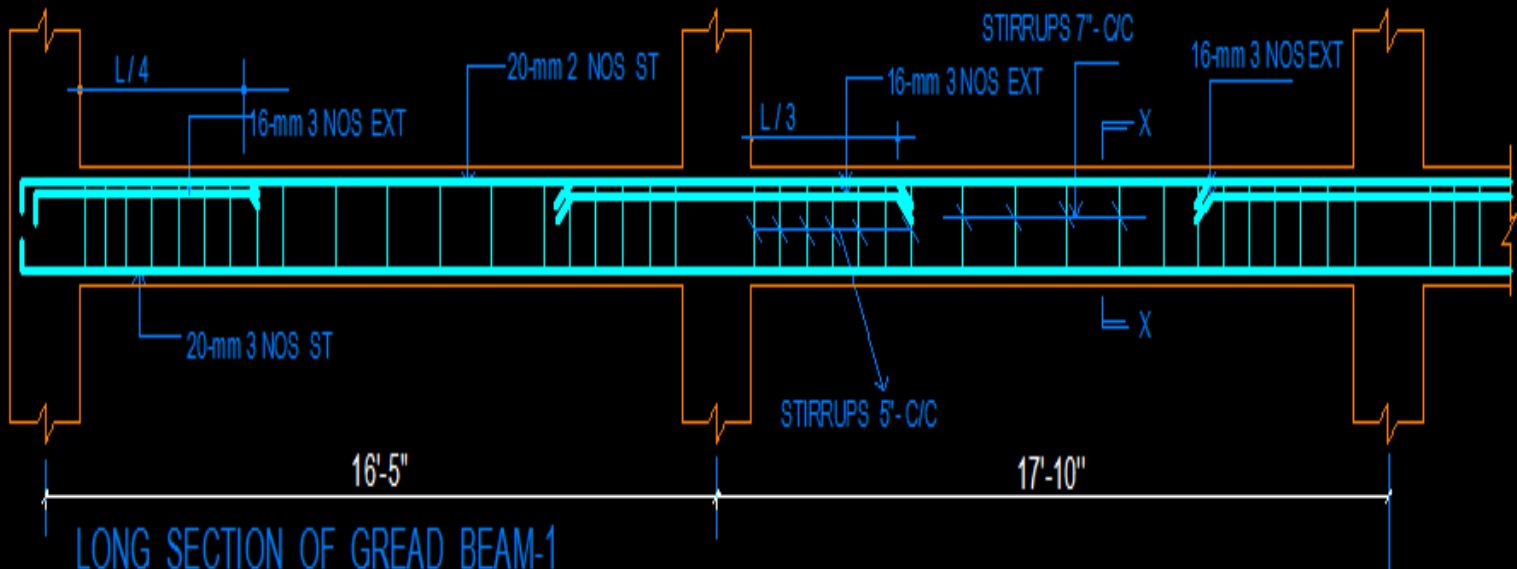
SECTION OF A - A .



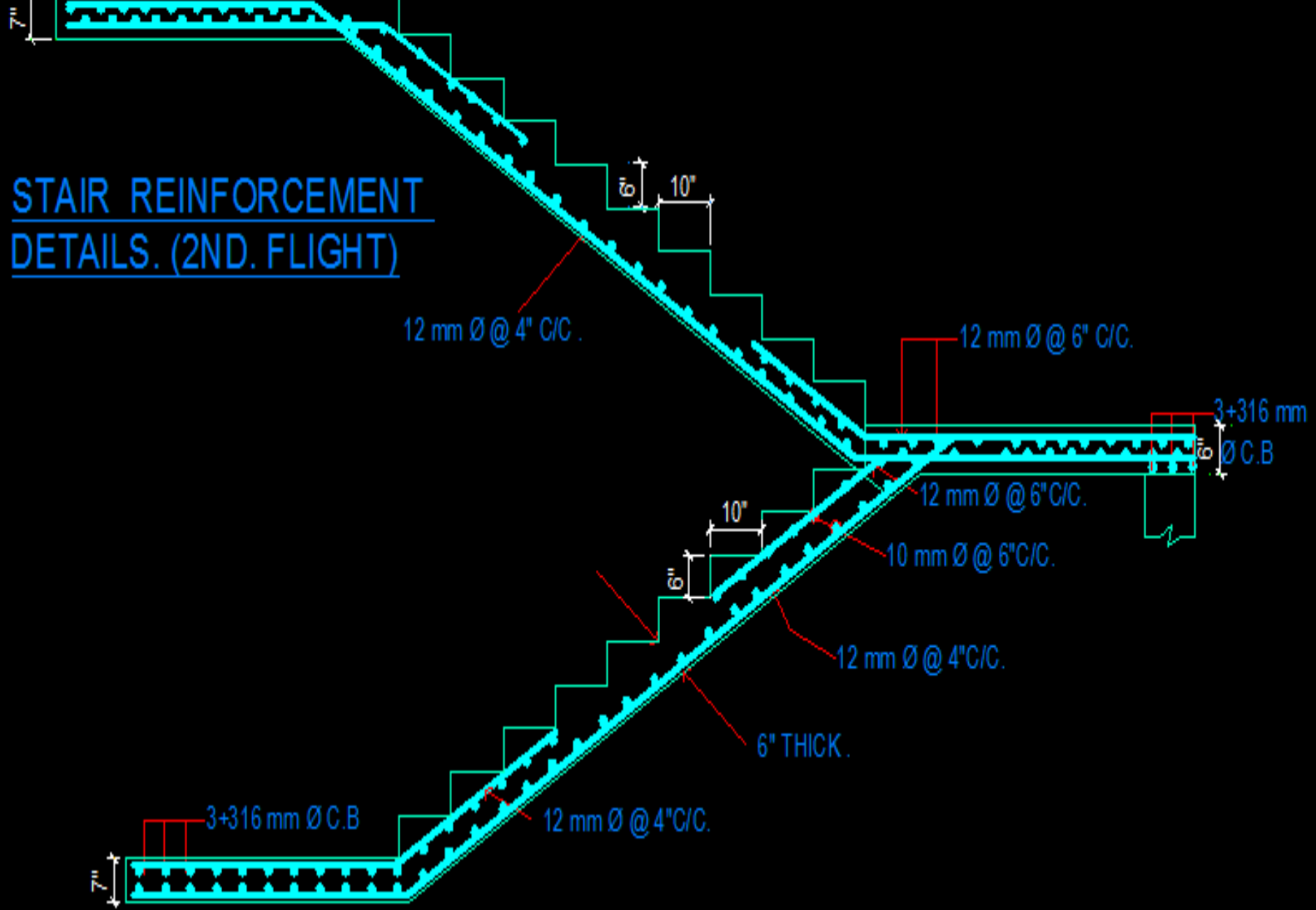
PILE CAP OF - 3



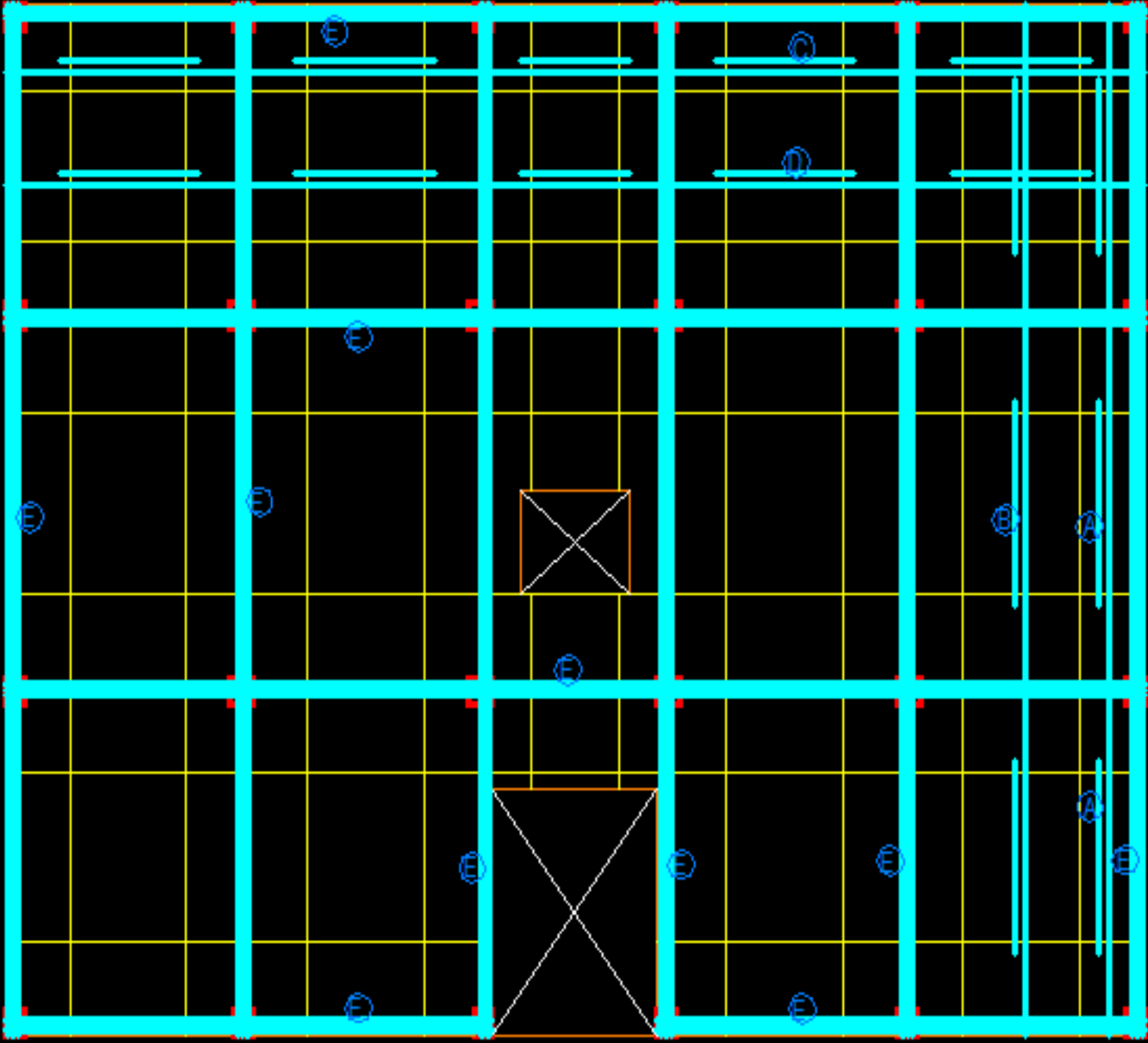
PILE CAP OF -4



STAIR REINFORCEMENT DETAILS. (2ND. FLIGHT)



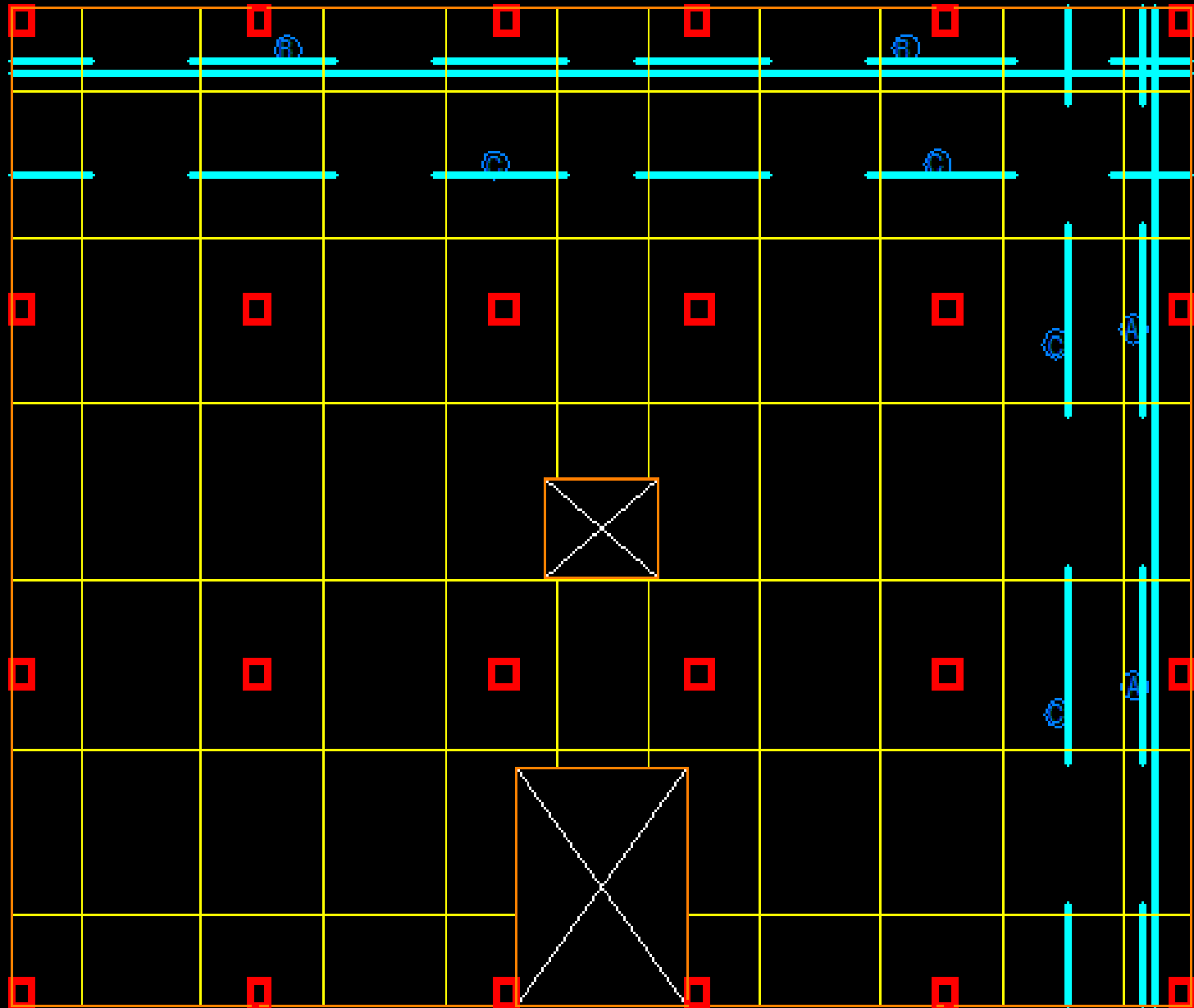
STAIR REINFORCEMENT DETAILS. (1ST. FLIGHT)



NOTE -

- (A) 10 mm - 5' c/c BOTTOM LAYER
- (B) 10 mm - 5' c/c BOTTOM LAYER
- (C) 10 mm - 6' c/c TOP LAYER
- (D) 10 mm - 6' c/c TOP LAYER
- (E) 4+4 = 16 mm -C.BEAM
S.T - 7"

ROD DETAILS OF ROOF SLAB (Bottom Layer)



- NOTE -
- (A) 12 mm - 4" oc TOP LAYER
 - (B) 12 mm - 5" oc BOTTOM LAYER
 - (C) 10 mm - 6" oc EXT TOP
- S.T - 7"

ROD DETAILS OF ROOF SLAB (Top Layer)
 SCALE-1/8"=1'-0"



THANK YOU ALL

